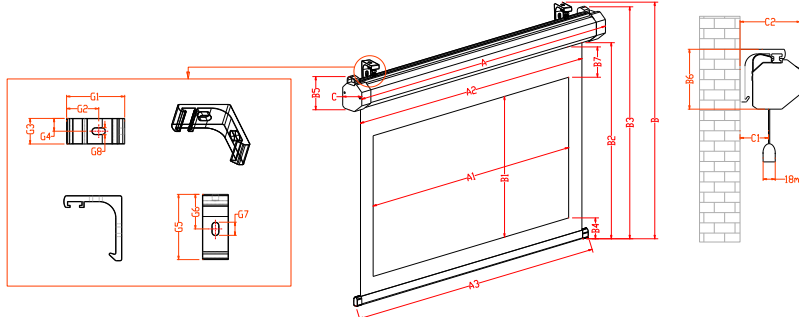


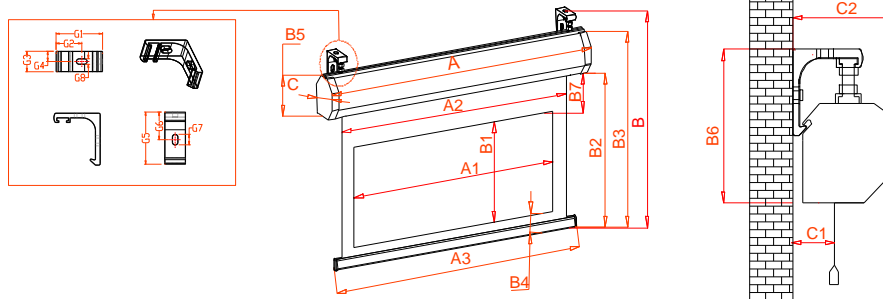
Elite Screens - Home2(3) Series Dimension Table

Unit: mm

Model	Screen Diag. & Aspect Ratio	Case L (A)	View W (A1)	Screen W (A2)	weight bar length (A3)	Overall (H) w/ bracket (B)	View H (B1)	Screen H (TTL) (B2)	Overall H (B3)	Bottom Edge (B4)	Case Height (B5)	height between bracket and case (B6)	Top black masking (B7)	Case (C)	Case End to Screen (C1)	distance between case and the wall (C2)	G1	G2	G3	G4	G5	G6	G7	G8
Home80IWS2	80"(1:1)	1677	1437	1513	1577	1697	1437	1553	1649	65	96	144	51	94	20	104	70	37	22	11	74	40	20	10
Home100IWS2	100"(1:1)	2060	1796	1896	1960	2056	1796	1912	2008	65	96	144	51	94	20	104	70	37	22	11	74	40	20	10
Home120IWS2	120"(1:1)	2419	2155	2255	2319	2415	2155	2271	2367	65	96	144	51	94	20	104	70	37	22	11	74	40	20	10
Home135IWS2	135"(1:1)	2697	2425	2525	2597	2716	2425	2546	2666	70	120	170	51	122	24	132	87	47	35	18	103	55	20	10
Home150IWS2	150"(1:1)	2966	2694	2794	2866	3010	2694	2840	2960	70	120	170	76	122	24	132	87	47	35	18	103	55	20	10
Home165IWS2	165"(1:1)	3235	2963	3063	3135	3279	2963	3109	3229	70	120	170	76	122	24	132	87	47	35	18	103	55	20	10
Home75IWS2	75"(1:1)	1764	1524	1600	1664	1403	1143	1259	1355	65	96	144	51	94	20	104	70	37	22	11	74	40	20	10
Home90IWS2	90"(1:1)	2069	1829	1905	1969	1632	1372	1488	1584	65	96	144	51	94	20	104	70	37	22	11	74	40	20	10
Home100IWS2	100"(1:1)	2296	2032	2132	2196	1809	1524	1665	1761	65	96	144	76	94	20	104	70	37	22	11	74	40	20	10
Home120IWS2	120"(1:1)	2702	2438	2538	2602	2140	1829	1996	2092	65	96	144	102	94	20	104	70	37	22	11	74	40	20	10
Home135IWS2	135"(1:1)	3007	2743	2843	2907	2368	2057	2224	2320	65	96	144	102	94	20	104	70	37	22	11	74	40	20	10
Home150IWS2	150"(1:1)	3320	3048	3148	3220	2628	2286	2458	2578	70	120	170	102	122	24	132	87	47	35	18	103	55	20	10
Home75IWS2	75"(16:9)	1900	1660	1736	1800	1245	934	1101	1197	65	96	144	102	94	20	104	70	37	22	11	74	40	20	10
Home75IWS2-E30	75"(16:9)	1900	1660	1736	1800	1905	934	1761	1857	65	96	144	762	94	20	104	70	37	22	11	74	40	20	10
Home80IWS2	80"(16:9)	2011	1771	1847	1911	1307	996	1163	1259	65	96	144	102	94	20	104	70	37	22	11	74	40	20	10
Home84IWS2	84"(16:9)	2100	1860	1936	2000	1357	1046	1213	1309	65	96	144	102	94	20	104	70	37	22	11	74	40	20	10
Home84IWS2-E24	84"(16:9)	2100	1860	1936	2000	1865	1046	1721	1817	65	96	144	610	94	20	104	70	37	22	11	74	40	20	10
Home90IWS2	90"(16:9)	2232	1992	2068	2132	1432	1121	1288	1384	65	96	144	102	94	20	104	70	37	22	11	74	40	20	10
Home90IWS2-E30	90"(16:9)	2232	1992	2068	2132	2092	1121	1948	2044	65	96	144	762	94	20	104	70	37	22	11	74	40	20	10
Home100IWS2	100"(16:9)	2478	2214	2314	2378	1556	1245	1412	1508	65	96	144	102	94	20	104	70	37	22	11	74	40	20	10
Home100IWS2-E24	100"(16:9)	2478	2214	2314	2378	2064	1245	1920	2016	65	96	144	610	94	20	104	70	37	22	11	74	40	20	10
Home102IWS2	102"(16:9)	2522	2258	2358	2422	1581	1270	1437	1533	65	96	144	102	94	20	104	70	37	22	11	74	40	20	10
Home106IWS2	106"(16:9)	2611	2347	2447	2511	1631	1320	1487	1583	65	96	144	102	94	20	104	70	37	22	11	74	40	20	10
Home110IWS2	110"(16:9)	2699	2435	2535	2599	1681	1370	1537	1633	65	96	144	102	94	20	104	70	37	22	11	74	40	20	10
Home110IWS2-E12	110"(16:9)	2699	2435	2535	2599	1884	1370	1740	1836	65	96	144	305	94	20	104	70	37	22	11	74	40	20	10
Home120IWS2	120"(16:9)	2821	2657	2757	2821	1805	1494	1661	1757	65	96	144	102	94	20	104	70	37	22	11	74	40	20	10
Home120IWS2-E24	120"(16:9)	2821	2657	2757	2821	2313	1494	2169	2265	65	96	144	610	94	20	104	70	37	22	11	74	40	20	10
Home135IWS2	135"(16:9)	3253	2989	3089	3153	1992	1681	1848	1944	65	96	144	102	94	20	104	70	37	22	11	74	40	20	10
Home135IWS2-E24	135"(16:9)	3253	2989	3089	3153	2500	1681	2356	2452	65	96	144	610	94	20	104	70	37	22	11	74	40	20	10
Home150IWS2	150"(16:9)	3585	3321	3421	3485	2179	1868	2035	2131	65	96	144	102	94	20	104	70	37	22	11	74	40	20	10
Home150IWS2-E12	150"(16:9)	3593	3321	3421	3493	2413	1868	2243	2363	70	120	170	305	122	24	132	87	47	35	18	103	55	20	10
Home180IWS2	180"(16:9)	4257	3985	4085	4157	2787	2242	2617	2737	70	120	170	305	122	24	132	87	47	35	18	103	55	20	10



120S and below/135V and below/150H and below



135S and above/150V and above/150H and above